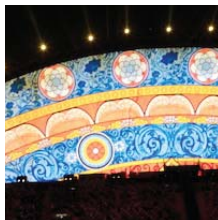


Versa[®] RAY



**IDEAL FOR
ARCHITECTURAL
INSTALLATIONS**

SCALABLE

LOW PROFILE

TRANSPARENT



Sleek and elegant, the Versa[®] RAY LED video display is optimal for installations where transparency is essential. Its low-profile, lightweight design makes Versa RAY an ideal solution for bold applications requiring rigidity and minimalism.

Versa RAY units can be installed in arrays allowing you to customize the screen to incredibly large dimensions. Available in black and silver, individual Versa RAY units can be one or two meters long, with pixel pitches including 50, 77, and 100 millimeters. Custom configurations available.

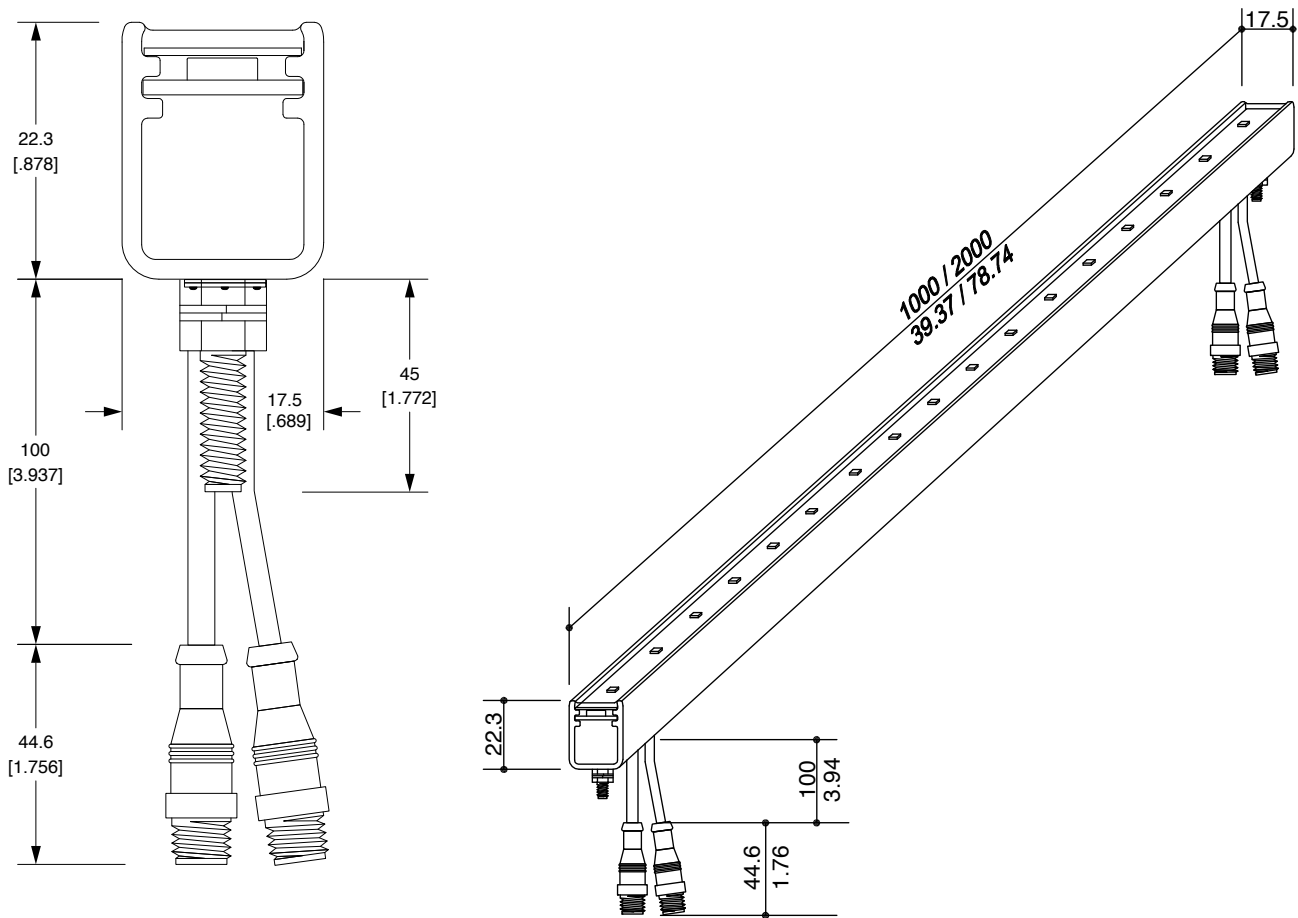
When mounted horizontally or vertically, Versa RAY's profile is a mere 17.5 millimeters. The display's framework virtually disappears, shifting focus to your content as it emerges from the super-bright LEDs.

The Versa RAY display is controlled using either Element Labs' standalone Versa DRIVE C1 controller or the full-featured Versa DRIVE D2 unit. Creating content for a Versa RAY display is easy. Just use any graphics software on your PC or Mac.



www.elementlabs.com

Versa[®] RAY



Specifications

Resolution	50 mm, 77 mm, or 100 mm pixel pitch	
Colors	Over 1 billion (30-bit)	
Output	235 nits (cd/m) @ 77 mm pitch	
Power	7 watts/meter @ 77 mm pitch	
Power input	5VDC	
Dimensions	Length	1.0 m (39.37 in.) 2.0 m (78.74 in.)
	Width	17.5 mm (0.88 in.)
	Height	22.3 mm (3.91 in.)
Weight	0.5 kg/m (0.39 lbs./ft.)	

North America
+1 512 491 9111

London
+44 20 7749 0611

Germany
+49 5331 905660

www.elementlabs.com
info@elementlabs.com