

# Versa<sup>®</sup>TUBE

v2i series



Brilliant. Attractive. Intense. Versa<sup>®</sup> TUBE is a robust LED fixture that delivers limitless effects from vibrant patterns to subtle, organic color flows.

A Versa TUBE display can be configured in any layout imaginable. Any video can then be mapped onto the display. The result: a fluid, colorful palette that moves light in ways never before seen.

Versa TUBE is a favorite among premier designers throughout the world who rely on Element Labs technology to illuminate media facades, film and television sets, touring stages, architectural treatments, and tradeshow.

**INDUSTRY PREFERRED  
SOLUTION**

**BRILLIANT COLOR RANGE**

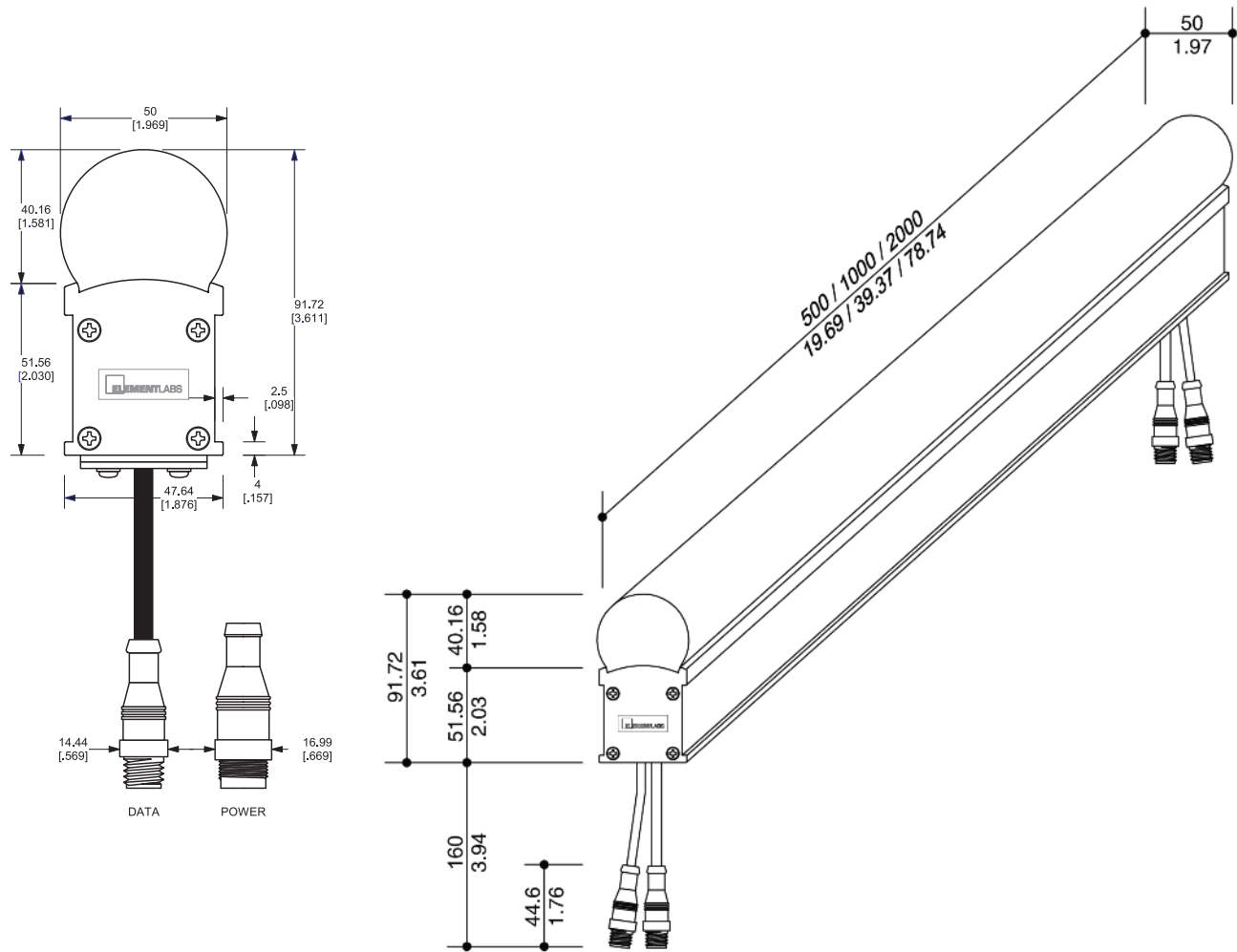
**EASY CONTROL  
THROUGH VIDEO**



[www.elementlabs.com](http://www.elementlabs.com)

# Versa<sup>®</sup>TUBE

v2i series



## Specifications

		v2i HD
Resolution		36 pixels/meter
Colors		Over 1 billion (30-bit)
Output		900 nits (cd/m <sup>2</sup> )
Lens		Diffused
Control		Versa DRIVE C1 or Versa DRIVE D2
Power		56 watts/meter
Power input		100-240 VAC 50/60Hz
Dimensions	Length	0.5 m (19.68 in.) 1.0 m (39.37 in.) 2.0 m (78.74 in.)
	Width	50.0 mm (1.97 in.)
	Height	92.1 mm (3.62 in.)
Weight		2.4 kg/m (5.20 lbs.)

North America  
+1 512 491 9111

London  
+44 20 7749 0611

Germany  
+49 5331 905660

www.elementlabs.com  
info@elementlabs.com